

## Deck Mounted Raised Sensor Tap

### PRODUCT FEATURES

- Automatic infrared sensor activation faucet
- Fully automatic sensor activation for personal hygiene
- Electrical sensor is isolated and sealed in waterproof compartment
- Self adjusting signal frequency to prevent interference with other sensor products

### PRODUCT SPECIFICATIONS

- |                         |   |
|-------------------------|---|
| • Dimension             | : 162 (L) x Ø25 (W) x 319 (H) mm                        |
| • Material              | : Polished brass with chrome finish                     |
| • Power Supply          | : 230VAC 50Hz   |
| • Detection Range       | : Self-adjusting to environment                         |
| • Operating Temperature | : 0 – 40°C  |
| • Supply Pressure       | : 70 kPa (flowing) – 500 kPa                            |
| • Water Consumption     | : 10 secs. Faucet: 0.35 litre per cycle                 |
| • Saving Feature        | : Auto cut-off when hands are removed                   |
| • Detection Time        | : ON feature: Immediate<br>OFF feature: 0.5 secs. delay |



### RESOURCEFUL FEATURES:



Auto-Adjust



Constant Flow Regulator



Anti-Conflict

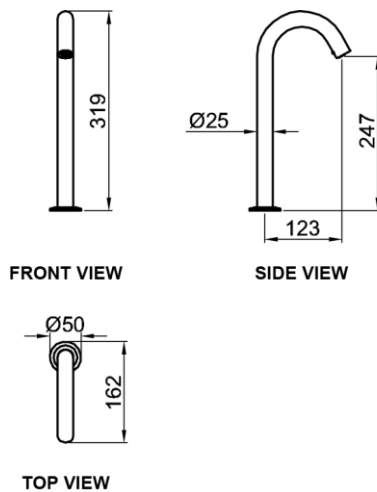


Touch-Free



RC1000 Remote Control

### TECHNICAL DRAWING



### INSTALLATION DETAILS

